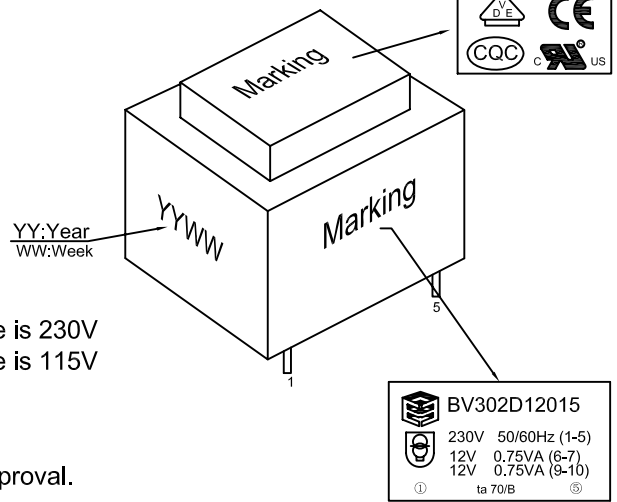


# SEALED TRANSFORMER, PCB 1.5VA EI 30-12.5 SERIES

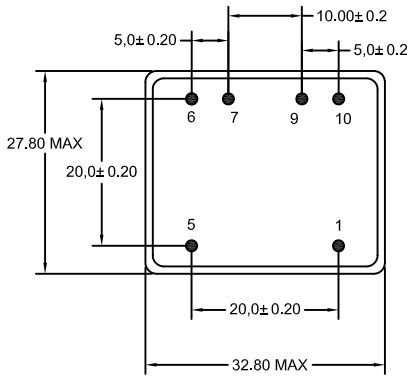
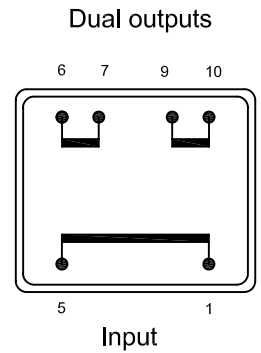
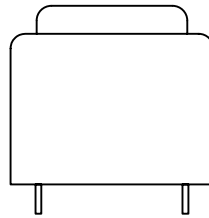
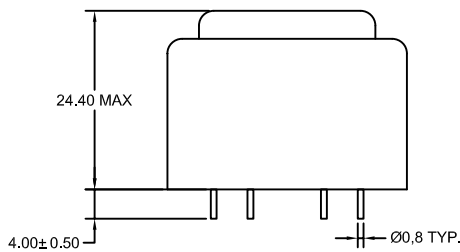


## 1. ELECTRICAL SPECIFICATIONS:

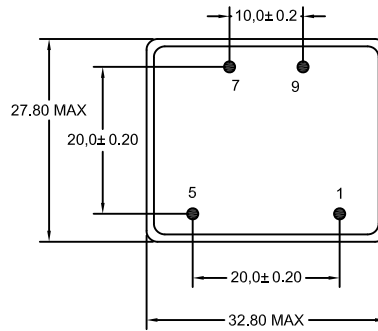
- A. Input Voltage and Frequency: 115/230V @ 50/60 Hz
- B. Secondary Voltage: See Electrical Table
- C. Ambient Temperature: 70° C MAX allowed.
- D. Insulation Resistance:  
100M Ohm Min @ 500VDC PRI. to SEC.
- E. Hi-Pot:  
4200Vrms 1 minute @ PRI. to SEC. ,when the primary input voltage is 230V  
2800Vrms 1 minute @ PRI. to SEC. ,when the primary input voltage is 115V
- F. Approvals:  
UL506,UL1585 class 2 and class 3,VDE,EN61558,EN60950
- H. When the primary is 115V input,the transformer are non CQC approval.



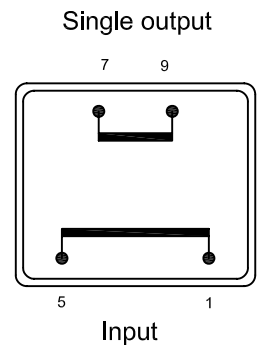
## 2. MECHANICAL SPECIFICATIONS:



Dual outputs



Single output



Input

REV.	DESCRIPTION	DRAWN	DATE(M/D/Y)
------	-------------	-------	-------------

TOLERANCE	SCALE NOT 1:1	UNIT mm	DATE (M/D/Y)	MODEL DESCRIPTION
X	± 0.3	DRAWN	Janise	2008-1-16
X.X	± 0.2	CHECKED		
X.XX	± 0.1	APPROVED		
THICKNESS	/			
REV.	A0			

**ZETTLER MAGNETICS**

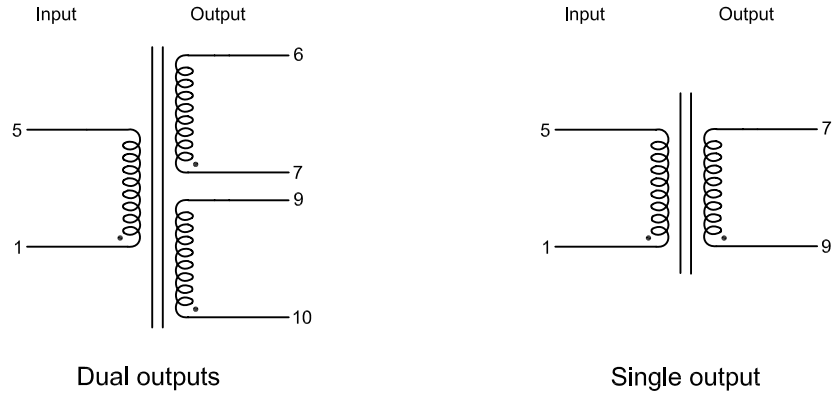
**TITLE**  
EI 30-12.5 1.5VA

MATERIAL  
120° C or higher

MODEL:  
EI 30-12.5 1.5VA

SHEET: 1 OF 2

3. SCHEMATIC DIAGRAM:



4. ELECTRICAL TABLE:

Part Number (Input: 115V)	Part Number (Input: 230V)	Secondary Voltage (V)		Secondary current (mA)	No-load Voltage (V)(max)	Ambient temperature (°C)	Rated Power (VA)
BV301S06015	BV302S06015	6±10%		250	9.7	T 70 B	1.5
BV301S09015	BV302S09015	9±10%		167	14.5	T 70 B	1.5
BV301S12015	BV302S12015	12±10%		125	19.3	T 70 B	1.5
BV301S15015	BV302S15015	15±10%		100	24.2	T 70 B	1.5
BV301S18015	BV302S18015	18±10%		83	29.8	T 70 B	1.5
BV301S24015	BV302S24015	24±10%		63	38.6	T 70 B	1.5
BV301D06015	BV302D06015	6±10%	6±15%	2×125	2×9.7	T 70 B	1.5
BV301D09015	BV302D09015	9±10%	9±15%	2×83	2×15.3	T 70 B	1.5
BV301D12015	BV302D12015	12±10%	12±15%	2×63	2×19.3	T 70 B	1.5
BV301D15015	BV302D15015	15±10%	15±15%	2×50	2×24.2	T 70 B	1.5
BV301D18015*	BV302D18015*	18±10%	18±15%	2×42	2×29	T 70 B	1.5
BV301D24015*	BV302D24015*	24±10%	24±15%	2×31	2×38.6	T 70 B	1.5

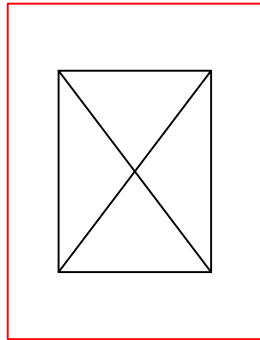
\* To be noted:\*marked transformers are non VDE approved.  
Those transformers meet all requirement of EN61558-2-4.

TOLERANCE		SCALE NOT 1:1	UNIT mm	DATE (M/D/Y)	MODEL DESCRIPTION
X	± 0.3	DRAWN	Janise	2008-1-16	<b>ZETTLER MAGNETICS</b>  <b>TITLE</b> EI 30-12.5 1.5VA
X.X	± 0.2	CHECKED			
X.XX	± 0.1	APPROVED			
THICKNESS	/				
REV.	A0				
					MATERIAL 120° C or higher  MODEL: EI 30-12.5 1.5VA  SHEET: 2 OF 2

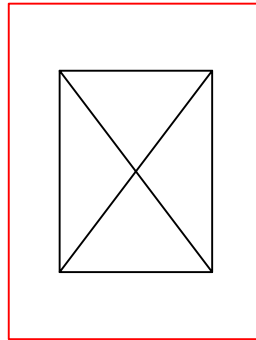
— LAMINATION

□ COIL

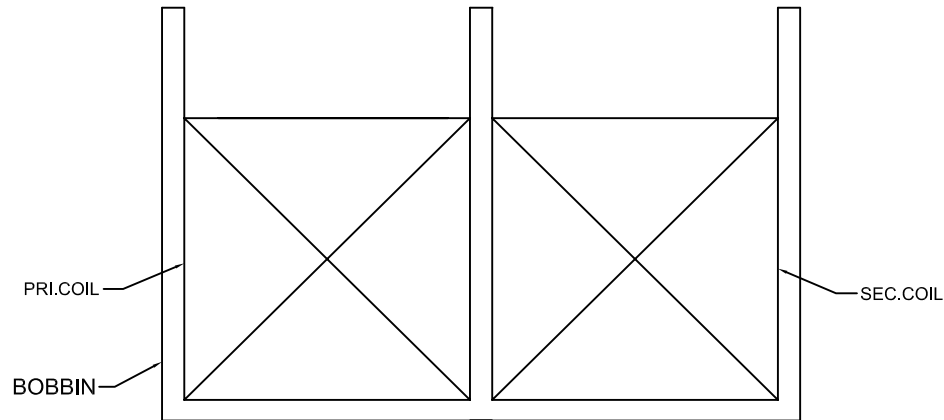
⊗ BOBBIN



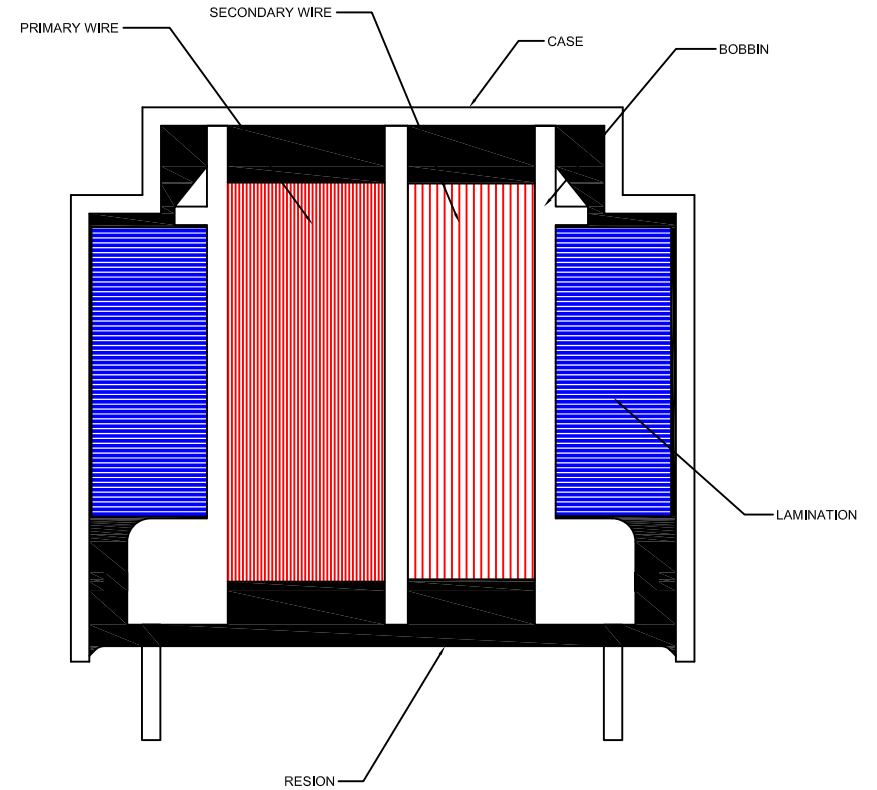
PRIMARY



SECONDARY



REVISIONS			
REV	DESCRIPTION	DATE	BY



MATERIAL	TOLERANCES UNLESS OTHERWISE NOTED ANGLES ± 1/4 FRACMONS ± 0.4 MM DECIMALS XX ± .3 XXX ± .15	<b>ZETTLER MAGNETICS</b>	
FINISH	DATE		
DATE	DRAWN Janise	DATE 2008-1-16	DRG. NO. EI30-12.5 1.5VA
ZM APPROVED	CHECKED	DATE	USED ON:
	APPROVED	DATE	SHT 1
			OF 1
			REV. A0

REVISIONS			
REV	DESCRIPTION	DATE	BY

MATERIAL	PART NO.	MANUFACTURER	UL FILE NO.	MATERIAL DESCRIPTION
BOBBIN	EI30*12.5	BASF AKTIENGESELLSCHAFT	E41871	A3X2G5
CASE	EI30*12.5	BASF AKTIENGESELLSCHAFT	E41871	A3X2G5
MAGNET WIRE	UEW	ELEKTRISOLA HANGZHOU CO LTD XIAMEN HUNG'S ENTERPRISE CO LTD TA YA ELECTRIC WIRE FACTORY GUANGDONG RONSEN SUPER	E258243 E219154 E197768 E164502	MW79 POLYURETHANE COATED(155° )
RESIN	PU 552 FL (c)	WEVO-CHEMIE GMBH	E108835	

MATERIAL	TOLERANCES UNLESS OTHERWISE NOTED		<b>ZETTLER MAGNETICS</b>		
FINISH	ANGLES ± 1/4 FRACMONS ± 0.4 MM DECIMALS XX ± .3 XXX ± .15				
DATE	DRAWN Janise	DATE 2008-1-16	EI30-12.5 1.5VA		DRG. NO.
ZM APPROVED	CHECKED	DATE	USED ON:		SHT 1
	APPROVED	DATE			OF 1
					REV. A0